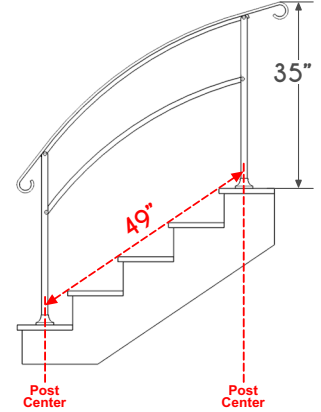
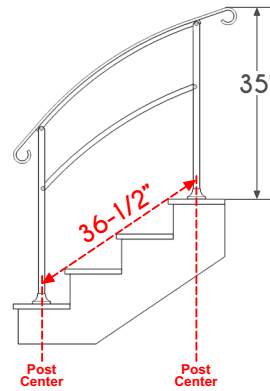
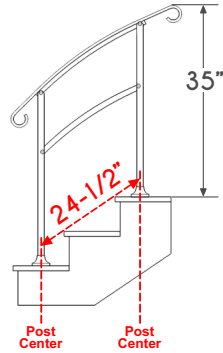


How To Determine If InstantRail Will Work On Your Steps

ANGLED MEASUREMENT CENTER OF POST TO CENTER OF POST

The Angled Measurement will remain constant and **never change**. This measurement is **not** dependant on the angle of your steps.



3-Step Model

Extend a tape measure to:

24-1/2"

4-Step Model

Extend a tape measure to:

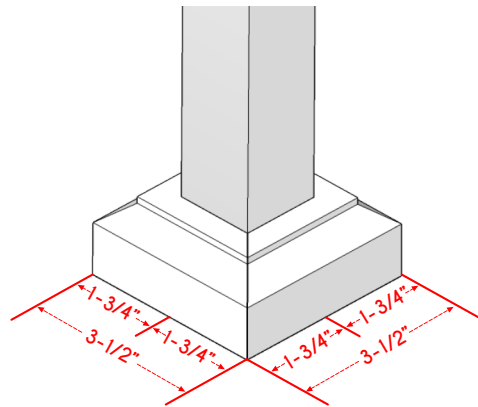
36-1/2"

5-Step Model

Extend a tape measure to:

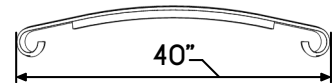
48"

2. Place tape measure flush against the edges of your steps.
3. Position the lower end of the tape measure over the center of the lower step where InstantRail will be installed. This is where the center of the lower post will be.
4. The other end of the tape measure is where the center of the upper post will be.
5. If the upper post position is not exactly centered on the step, InstantRail's position can be adjusted slightly forward or backward to suit your specific need.
6. Be aware that the bottom of InstantRail's posts with base trim measure 3-1/2" square. Therefore, allow for 1-3/4" clearance from the center of each post in all directions.

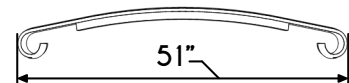


Bottom of Post Shown
 with Included Base Trim

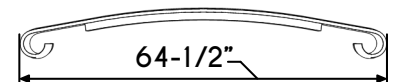
3 Step Model
 Top Rail Length: 40"



4 Step Model
 Top Rail Length: 51"



5 Step Model
 Top Rail Length: 64-1/2"



HEAVY GAUGE
 ALUMINUM

DURABLE POWDER
 COATED FINISH

WILL NOT RUST

SIMPLE QUICK
 INSTALLATION

MAINTENANCE
FREE

MADE IN
 AMERICA

SHIPS UPS