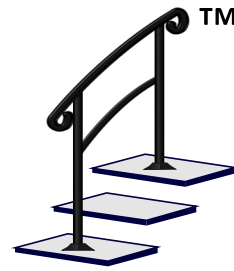


Instant Rail

FAST ★ EASY ★ AMERICAN MADE

InstantRail Is A Patented Product - US Patent No. 9,470,013



INSTANTLY ADJUSTS FROM ZERO TO 38 DEGREES



EASILY FASTENS TO CEMENT OR WOOD!

3 STEP, 4 STEP, AND 5 STEP MODELS AVAILABLE!

InstantRail is a simple cost effective stair rail solution. Designed for Contractors and DIY Homeowners, InstantRail has an adjustable pitch from 0 - 38° to fit the rise of almost any stair!

- ✓ HEAVY GAUGE ALUMINUM
- ✓ AVAILABLE IN BLACK OR WHITE
- ✓ ALL STAINLESS STEEL HARDWARE
- ✓ DURABLE POWDER COAT FINISH
- ✓ AMERICAN MADE
- ✓ TOUGH / MAINTENANCE FREE
- ✓ WILL NOT RUST!
- ✓ SIMPLE QUICK INSTALLATION
- ✓ SHIPS UPS

FOR MORE INFORMATION OR TO ORDER,
CALL 1-844-743-5140

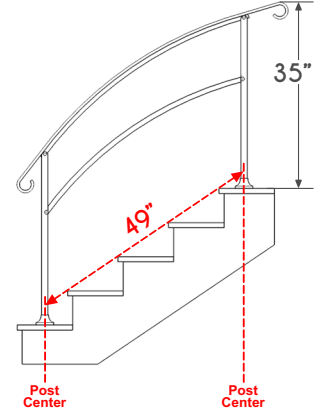
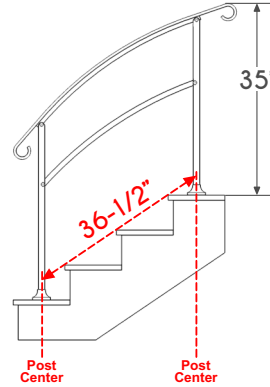
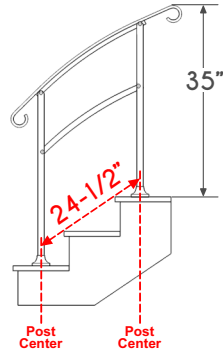
VISIT US ONLINE AT WWW.INSTANTRAIL.COM

Your Dealer

How To Determine If InstantRail Will Work On Your Steps

ANGLED MEASUREMENT CENTER OF POST TO CENTER OF POST

The Angled Measurement will remain constant and **never change**. This measurement is **not** dependant on the angle of your steps.



HEAVY GAUGE
ALUMINUM

DURABLE POWDER
COATED FINISH

WILL NOT RUST

SIMPLE QUICK
INSTALLATION

MAINTENANCE
FREE

MADE IN
AMERICA

SHIPS UPS

3-Step Model

Extend a tape measure to:

24-1/2"

4-Step Model

Extend a tape measure to:

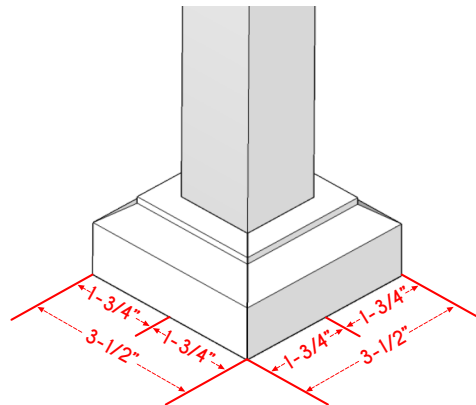
36-1/2"

5-Step Model

Extend a tape measure to:

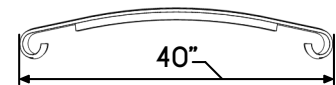
48"

- Place tape measure flush against the edges of your steps.
- Position the lower end of the tape measure over the center of the lower step where InstantRail will be installed. This is where the center of the lower post will be.
- The other end of the tape measure is where the center of the upper post will be.
- If the upper post position is not exactly centered on the step, InstantRail's position can be adjusted slightly forward or backward to suit your specific need.
- Be aware that the bottom of InstantRail's posts with base trim measure 3-1/2" square. Therefore, allow for 1-3/4" clearance from the center of each post in all directions.

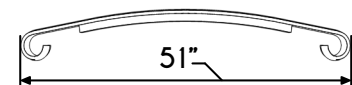


Bottom of Post Shown
with Included Base Trim

3 Step Model
Top Rail Length: 40"



4 Step Model
Top Rail Length: 51"



5 Step Model
Top Rail Length: 64-1/2"

